

# **Maretron**<sup>®</sup>

Vessel Monitoring & Control

## **M1AR - M16AR**

### **Fluid Flow Sensor**

### **Installation Instructions**



**Rev. 2.4 (1/2025)**

**PN: M003063**

**Maretron**  
**120 Intracoastal Pointe Dr.**  
**Jupiter, FL 33477**  
**USA**

**All Rights Reserved**

**[www.maretron.com](http://www.maretron.com)**

## General:

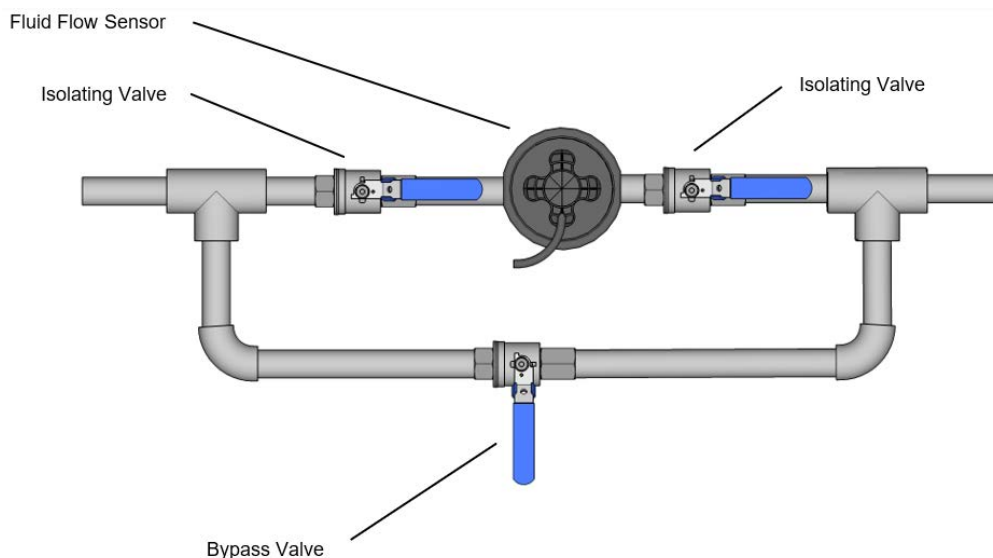
The following Installation Instructions are for the Maretron M1AR - M16AR series Fluid Flow Sensors. For FFM100 configuration instructions, please refer to the FFM100 User's Manual. The Installation practices outlined in this document must be followed for proper operation of the Fluid Flow Sensor(s) and FFM100 system.

## Installation Requirements:

- To prevent damage from dirt or foreign matter, it is required that the fluid going through the sensor(s) is filtered to 75 micron particles or smaller.
- The Fluid Flow Sensor must be installed with the proper flow direction orientation to match the flow of the fluid going through the sensor.
- A liquid thread sealant must be used on the threaded inlet and outlet fittings of the Fluid Flow Sensor. Do not use Teflon thread tape.
- Fittings on the Fluid Flow sensor shall be tightened hand tight, then an extra 1/2 turn. Beware not to tighten the fittings to the bottom of the inlet or outlet threaded cavity potentially causing restricted flow.
- The Fluid Flow Sensor must have 12 in. (31cm) of unobstructed plumbing. This means that elbow fittings shall never be used for the inlet or outlet port of the Fluid Flow Sensor. Additionally, T fittings, manifolds or any other possible obstructions shall not be installed within 12 in. (31cm) of the sensor. This will prevent cavitation which may hinder the sensor's performance. There is an exception to this requirement, and that is, installation of *Full Port Ball Valves* where the valve opening diameter is the same diameter as the valve's pipelines therefore posing no restriction or disruption in flow.
- To prevent air entrapment, the sensor(s) must be installed in a location that is not the highest point in your application. It is best that the Fluid Flow sensor(s) are mounted in the lowest point of your FFM100 system.
- Fluid Flow Sensors must be purged of air before the first use. This shall be done manually before initial use that may cause sensor to run dry.
- Never force compressed air through sensor.
- The sensor has specific mounting orientation requirements. These requirements are illustrated in the following mounting instructions.

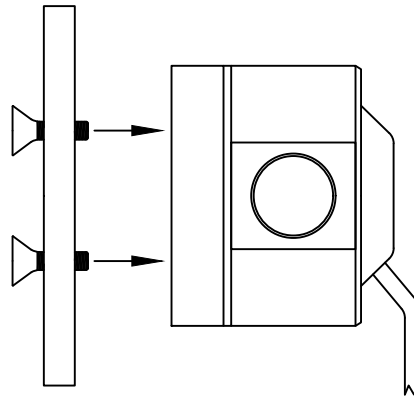
## Additional Considerations:

When plumbing the fluid flow sensors into your fluid flow system, please keep in mind that the fluid flow sensors may need to be removed for servicing. Installing the fluid flow sensors with an isolating valve before and after the sensor and adding a bypass loop with a bypass valve will enable the sensor to be removed for servicing. An example of this is shown below.



# Mounting Fluid Flow Sensors:

Fasten the sensor mounting plate to the sensor using the machine screws provided.

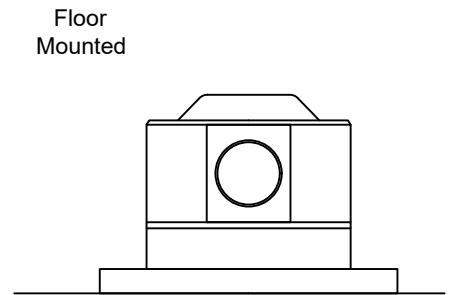
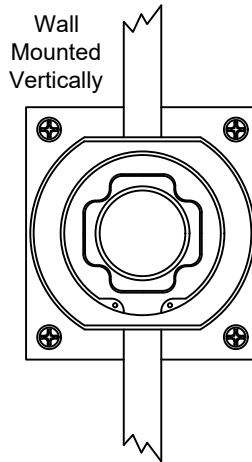
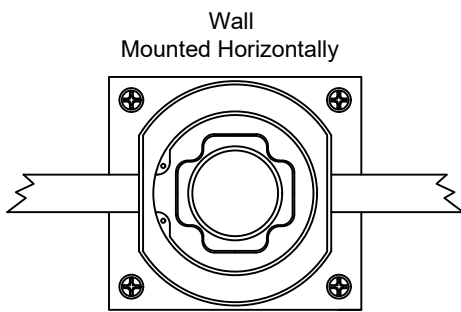


Once the sensor is mounted to its mounting plate, the sensor can be mounted to a wall, bulkhead or stringer. For proper operation, the sensor must be mounted where the fluid flow is horizontal and not vertical (Up and Down). The sensor also cannot be mounted flat (floor mounted) but instead must be mounted onto a vertical structure.

**CORRECT**

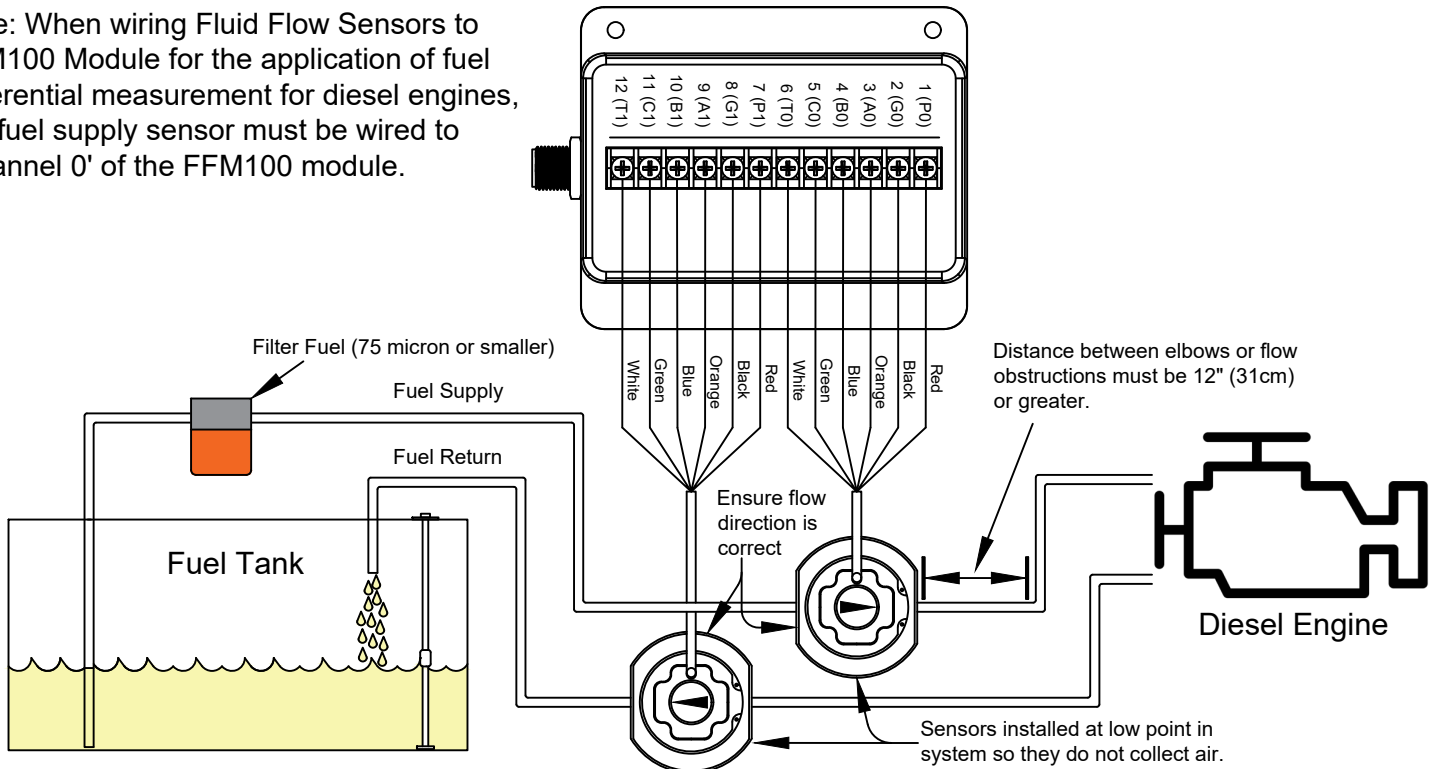
**INCORRECT**

**INCORRECT**



## Example of diesel engine fuel flow system plumbing and wiring to FFM100:

Note: When wiring Fluid Flow Sensors to FFM100 Module for the application of fuel differential measurement for diesel engines, the fuel supply sensor must be wired to 'Channel 0' of the FFM100 module.



*For more application diagrams and additional information about FFM100 wiring or configuration please reference the FFM100 User's Manual.*

# **Maretron**<sup>®</sup>

Vessel Monitoring & Control

**For Additional Support:**

Telephone: (602) 861-1707

Toll Free: 1 (866) 550-9100

E-mail: [support@maretron.com](mailto:support@maretron.com)

Maretron

120 Intracoastal Pointe Dr.

Jupiter, FL 33477 USA