

**Installation Instructions**  
**PT-V-0-1BAR-01 Pressure Transducers**

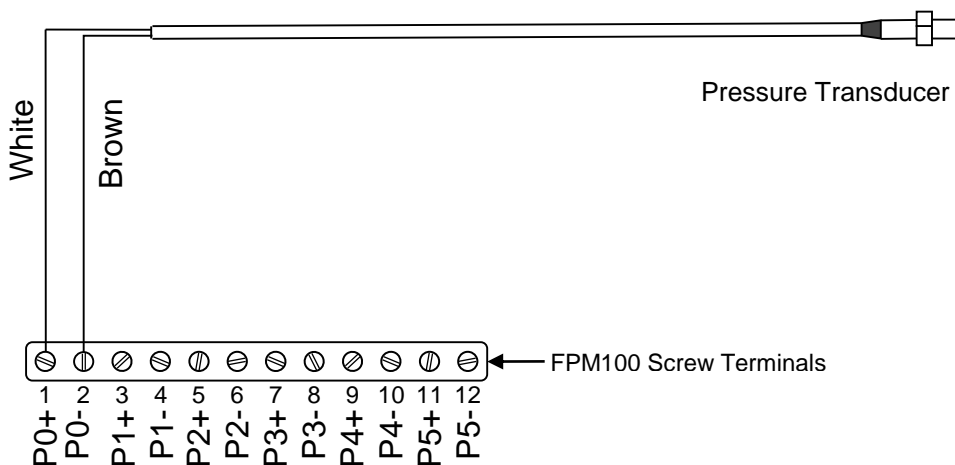


**WARNING** – Maretron pressure transducers are **not** approved for use with gasoline. If you wish to use the FPM100 to monitor pressures or levels of gasoline, you must obtain a pressure transducer that is approved for use with gasoline.

**Instructions**

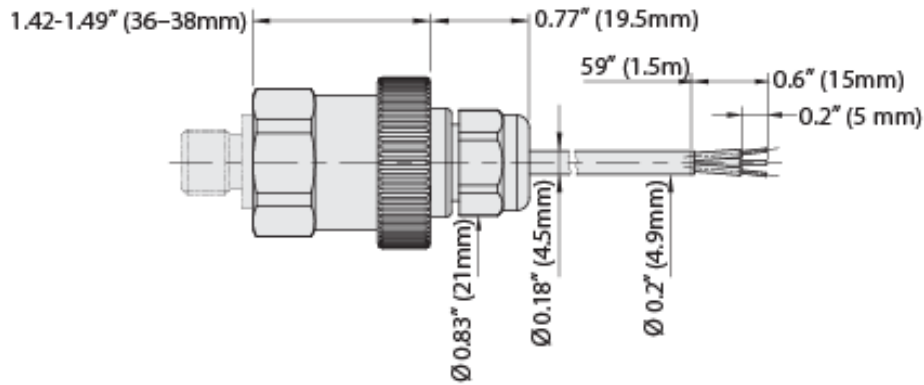
Please follow these instructions to connect the PT-V-0-1BAR-01 pressure transducer to the NMEA 2000® network via a Maretron FPM100 Fluid Pressure Module. The wiring diagram appears in Figure 1 below. The diagram shows a connection to channel #0, but connections to other channels are similar.

1. Please refer to the FPM100 User’s Guide for detailed information on selecting a mounting location for the pressure transducer.
2. All Maretron pressure transducer assemblies are equipped with a ¼” NPT male threaded fitting. Install the pressure transducer to a ¼” NPT female fitting on the system or tank to be monitored with a maximum torque of 133 to 177 in-lbs (15 to 20 Nm). If you are monitoring a system where pressure spikes or transients will occur, or where the pressure will exceed the maximum pressure rating of the pressure transducer, install a Pressure Snubber (PT-SNUB-01) onto the system being monitored first, then install the pressure transducer to the female port on the pressure snubber.
3. Connect the two wires of the pressure transducer to a free pressure monitoring channel. Connect the white wire from the pressure transducer to the positive (+) terminal of the channel, and connect the brown wire from the pressure transducer to the negative (-) terminal of the channel. The example in Figure 1 shows the pressure transducer connected to switch channel 0 with the white wire connected to “P0+”, and the brown wire connected to “P0-”.
4. Use a Maretron DSM250 display (firmware 1.4.7 or higher), the DSM250 viewing function of the Maretron N2KAnalyzer software, or other Maretron display product capable of configuring the FPM100 to configure the connected channel. Please refer to the *FPM100 User’s Manual* for configuration details.
5. Supply Power to the NMEA 2000 network and verify that the pressure channel indicates a valid pressure reading.



**Figure 1 – Pressure Transducer Connection Diagram**

## Pressure Transducer Mechanical Drawing



## Pressure Transducer Specifications

Part Number	Range	Accuracy	Type
PT-V-0-1BAR-01	Vacuum to 1 Bar (14.5 PSI)	± 1% Full Scale	Gauge

Specification	Value
Compatible Fluids / Gases	Refrigerant, Motor Oil, Diesel, Hydraulic Fluid, Brake Fluid, Water, Waste Water, Hydrogen, Nitrogen, Air
Operating Temperature	-5°C to 60°C
Media Temperature	-25°C to 125°C
Over Pressure Max	29 PSI (2 bar)
Construction	1.4305 (303 Stainless Steel), Thick Film on Ceramic Al <sub>2</sub> O <sub>3</sub> (96 %) Sensor, FKM 70 Sh O-Ring
Cable	IP67, PVC (cable gland PA6-3)
Cable Length	4.9 feet (1.5m)
Vibration	4 g (10 – 2000 Hz)
Shock	50 g/8 ms
EMC Compatibility	EN 61000-6-3, EN 61000-6-2
Humidity	Max. 95% relative
Weight	110g

For installation support, please contact:

**Maretron, LLP**  
**9014 N. 23<sup>rd</sup> Ave #10**  
**Phoenix, AZ 85021-7850**  
**Telephone: (+1) 866-550-9100**  
**E-mail: [support@maretron.com](mailto:support@maretron.com)**  
**Web: <http://www.maretron.com>**