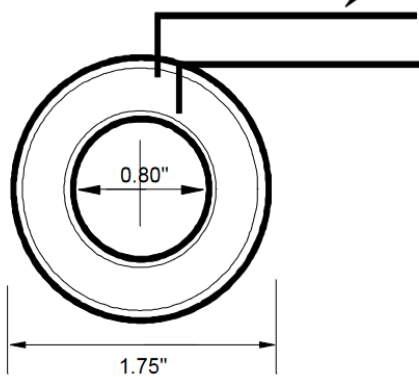


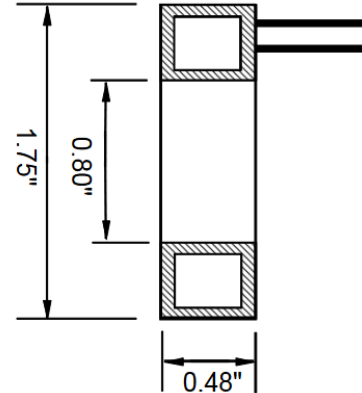
Part # M000630 - 100 Amp AC Transducer



LEAD LENGTH 18" STANDARD
1/4" FEMALE FASTON INSULATED
TERMINATIONS STANDARD



FACE VIEW



SECTIONAL VIEW

| Primary Current | 10A (RMS) | 20A (RMS) | 50A (RMS) | 100A (RMS) |
|--------------------------------|------------|------------|------------|------------|
| Secondary Output with 10Ω Load | 0.1V (RMS) | 0.2V (RMS) | 0.5V (RMS) | 1.0V (RMS) |

| | |
|------------------------------|------------------------|
| Current Range: | 100 Amps |
| Output Ratio to Input: | 1,000:1 (100mA AC Max) |
| Frequency Range: | 45-60Hz |
| Insulation Level: | 1,000 VAC (RMS) |
| Insulation resistance class: | 0.5KV |
| Accuracy at 50-60Hz: | ± 1% |
| Operating Temperature | -40°C to 80°C |
| Wire Size & Rating: | 18AWG, 300VAC |