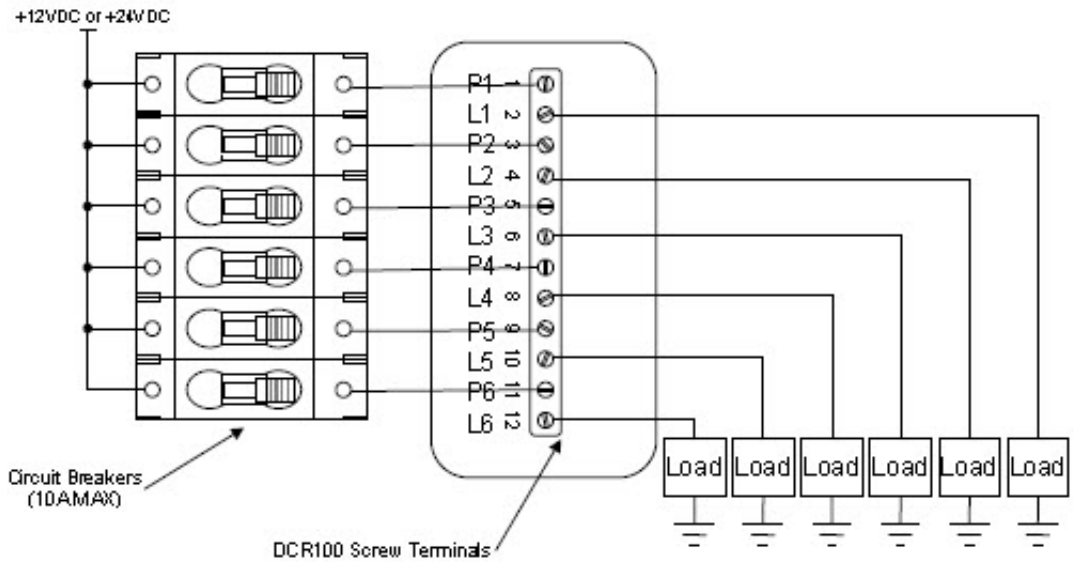


# Does the DCR100 provide overcurrent circuit protection?

Article Number: 511 | Rating: Unrated | Last Updated: Fri, Jun 6, 2014 9:50 PM

No, the DCR100 does not provide overcurrent circuit protection. The DCR100 contains six Solid State Relays (SSRs), which need to be individually overcurrent protected. The following diagram shows the individual SSRs protected with individual circuit breakers.



Posted - Thu, Apr 28, 2011 2:50 PM. This article has been viewed 3210 times.

Online URL: <https://www.maretron.com/support/knowledgebase/phpkbv7/article.php?id=511>