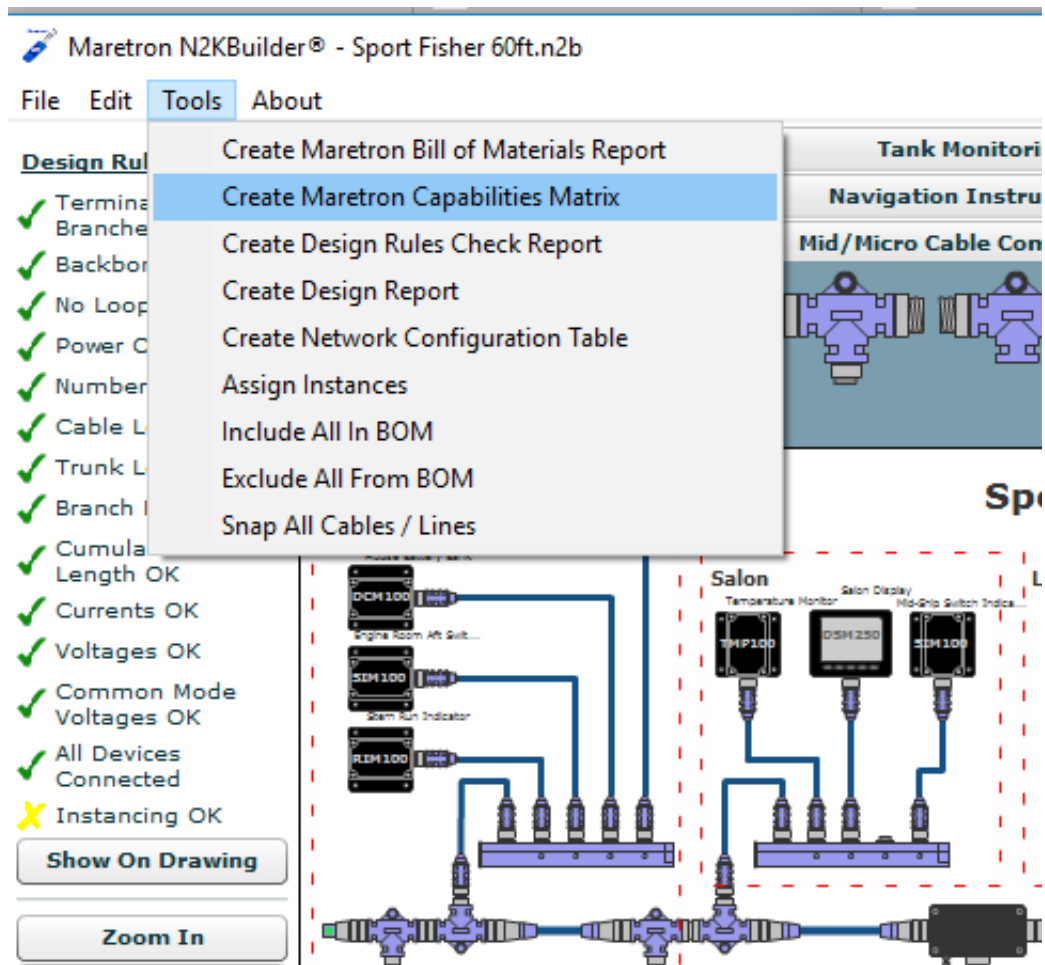


What type of information can be viewed on Maretron's display products, and what products are required to generate the data to be displayed?

Article Number: 468 | Rating: Unrated | Last Updated: Wed, May 24, 2017 5:09 PM

The Maretron Capability Matrix helps highlight the system features available for display when designing a system within N2KBuilder. To generate a system capability Matrix within N2KBuilder simply click on Tools, "Create Maretron Capability Matrix".



A Maretron Capability Matrix has an option in CSV format. The file can later be opened and edited using Microsoft Excel.

Capabilities Matrix		2000 Gateways & Bridges										Tank Monitoring				Engine Monitoring				Electrical Monitoring				Notes
Category	Data Type	N	D	A	D	D	D	E	F	F	G	J	R	R	S	S	T	T	W					
		S	S	C	C	C	S	M	F	P	P	K	A	I	I	S	L	M	S					
		V	M	M	M	R	T	S	M	N	S	S	A	M	M	C	A	P	O					
		I	I	I	I	I	I	I	I	I	I	I	I	I	I	I	I	I	I					
		S	S	S	S	S	S	S	S	S	S	S	S	S	S	S	S	S	S					
		#	#	#	#	#	#	#	#	#	#	#	#	#	#	#	#	#	#					
		W	W	W	W	W	W	W	W	W	W	W	W	W	W	W	W	W	W					
AC Bus	Phase A Frequency	Yes	Yes	+																				
AC Bus	Phase A L-N Voltage	Yes	Yes	+																				
AC Bus	Phase A L-L Voltage	Yes	Yes	+																				
AC Bus	Phase B Frequency	Yes	Yes	+																				
AC Bus	Phase B L-N Voltage	Yes	Yes	+																				
AC Bus	Phase B L-L Voltage	Yes	Yes	+																				
AC Bus	Phase C Frequency	Yes	Yes	+																				
AC Bus	Phase C L-N Voltage	Yes	Yes	+																				
AC Bus	Phase C L-L Voltage	Yes	Yes	+																				
AC Generator	Average Current	Yes	Yes	++								++								33K100 NMSA 2000 Data Dependent on 11929 Sq				
AC Generator	Average Frequency	Yes	Yes	++								++								33K100 NMSA 2000 Data Dependent on 11929 Sq				
AC Generator	Average L-L Voltage	Yes	Yes	++								++								33K100 NMSA 2000 Data Dependent on 11929 Sq				
AC Generator	Average L-N Voltage	Yes	Yes	++								++								33K100 NMSA 2000 Data Dependent on 11929 Sq				
AC Generator	Phase A Apparent Power	Yes	Yes	++																				
AC Generator	Phase A Current	Yes	Yes	++																				
AC Generator	Phase A Frequency	Yes	Yes	++																				
AC Generator	Phase A L-N Voltage	Yes	Yes	++																				
AC Generator	Phase A Power Factor	Yes	Yes	++																				
AC Generator	Phase A Reactive Power	Yes	Yes	++																				
AC Generator	Phase A Real Power	Yes	Yes	++																				
AC Generator	Phase A L-L Voltage	Yes	Yes	+																				
AC Generator	Phase B Apparent Power	Yes	Yes	+																				
AC Generator	Phase B Current	Yes	Yes	+																				
AC Generator	Phase B Frequency	Yes	Yes	+																				

*This component will give this capability ** This capability has already been included + more than one component is needed

Print Create CSV File Close

Posted - Tue, Oct 25, 2011 3:30 PM. This article has been viewed 23286 times.

Online URL: <https://www.maretron.com/support/knowledgebase/phpkbv7/article.php?id=468>