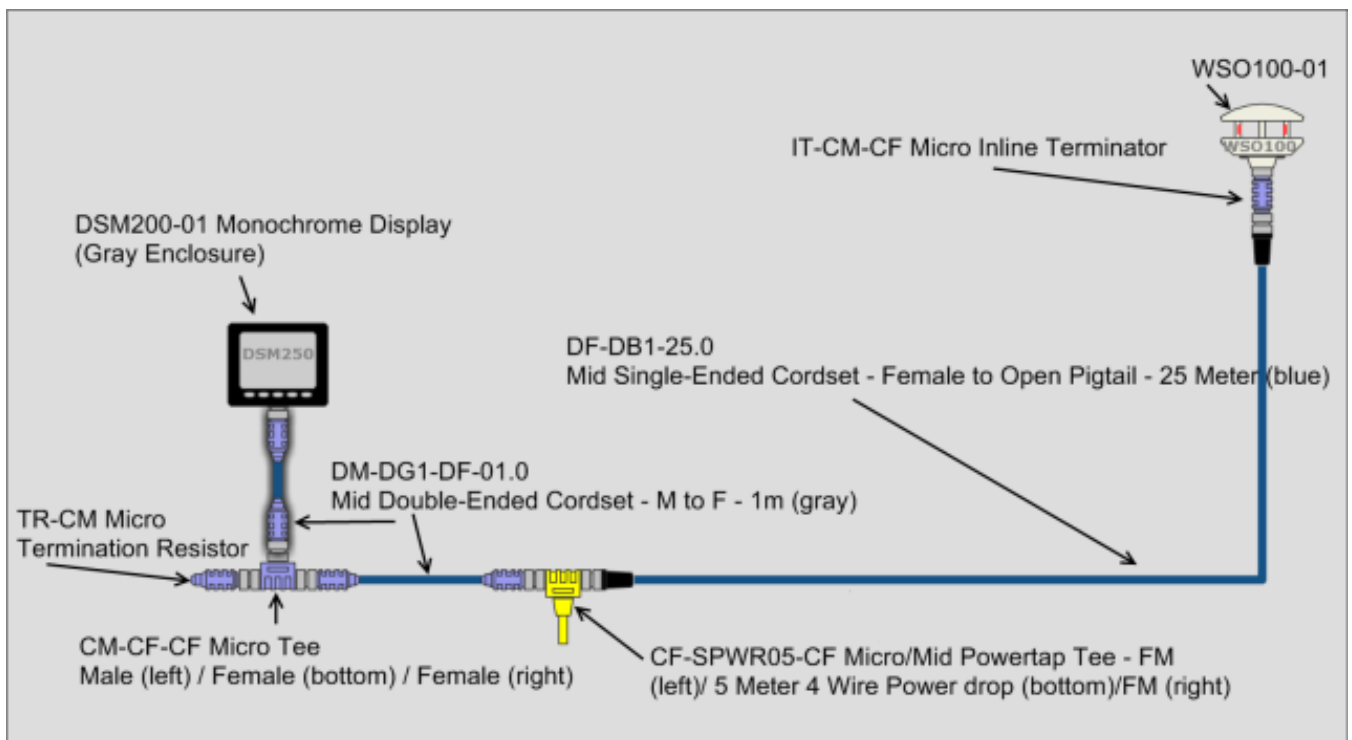


## What components does Maretron recommend in order to view environmental information at the top of a mast?

Article Number: 396 | Rating: Unrated | Last Updated: Fri, Jul 17, 2015 5:18 AM

For Mast installations greater than 20 feet Maretron recommends the following items:

- WSO100-01 Ultrasonic Wind/Weather Station
- IT-CM-CF Micro Inline Terminator
- DF-DB1-25.0 Mid Single-Ended Cordset - Female to Open Pigtail - 25 Meter (blue)
- TR-CM Micro Termination Resistor
- CM-CF-CF Micro Tee Male (left) / Female (bottom) / Female (right)
- CF-SPWR05-CF Micro/Mid Powertap Tee - FM (left)/ 5 Meter 4 Wire Power drop (bottom)/FM (right)
- DSM150-01 Monochrome Display
- DM-DG1-DF-01.0 Mid Double-Ended Cordset - M to F - 1m (gray)
- FA-CM-ST Micro/Mid Field Attachable Connector (Straight Male)



Posted - Fri, Jul 24, 2009 1:18 PM. This article has been viewed 2980 times.

Online URL: <https://www.maretron.com/support/knowledgebase/phpkbv7/article.php?id=396>