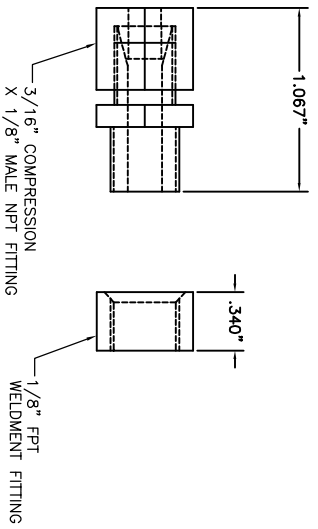
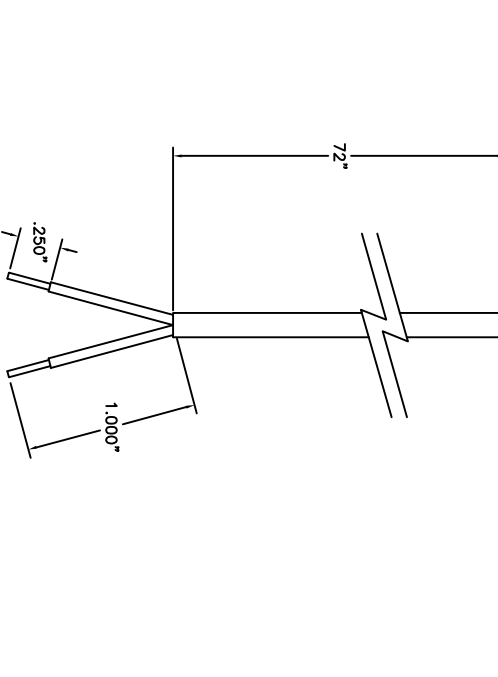
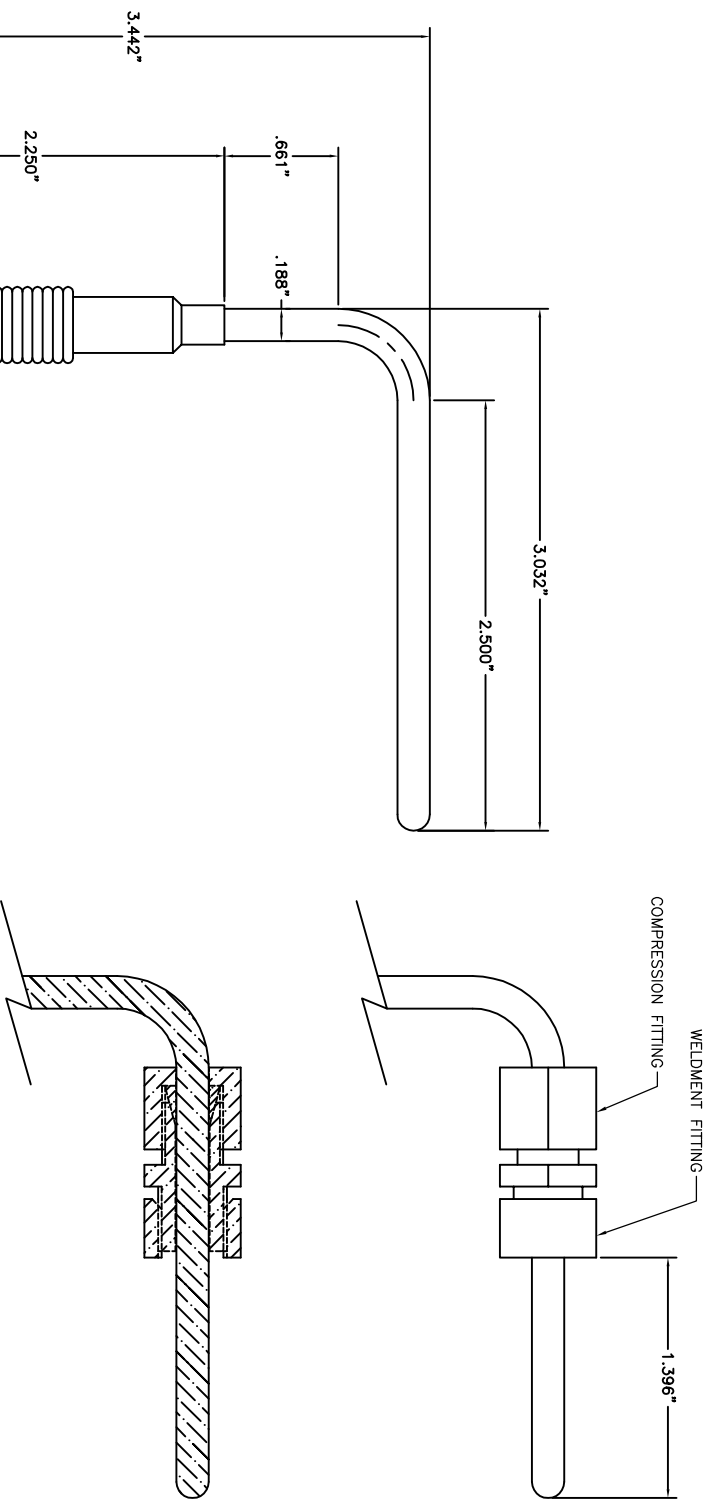


REV	DESCRIPTION	DATE



PART NUMBER DESCRIPTION
T/C-LM6XK02.4UU6SX
LM STYLE WITH $\phi 0.188$ "
446 SS SHEATH, $2\frac{1}{2}$ " LONG
SINGLE TYPE K T/C
UNGROUND JUNCTION
20 GA. STRANDED LEAD WIRE W/
TEFLON JACKET, W/ OVERBRAID
90° BEND, 2.5" F.H.E.
#EGT-0228-W INCLUDED
 $\frac{3}{16}$ " COMPRESSION X $\frac{1}{8}$ " MALE NPT
FITTING WITH $\frac{1}{8}$ " FEMALE NPT
WELDMENT FITTING

ITEM	QTY	DESCRIPTION
-1		
EXHAUST GAS TECHNOLOGIES, INC.		
ANAHEIM, CALIFORNIA		
PROCESS	LM STYLE	LM STYLE
NAME	90° BEND W/ COMP. FTG. & WELDMENT	90° BEND W/ COMP. FTG. & WELDMENT
DATE		
SIZE	3/16" X 1/8"	LM6XK02.4UU6SX
SCALE	N/A	
DATE	11/21/08	SHEET 1 OF 1