

## Nylon to Metal Connector Cable



Some products use inexpensive nylon connectors and when connected with metal connectors, the nylon threads can be damaged. This cable eliminates the problem by allowing nylon to nylon connections and metal to metal connections.

- NMEA 2000® Approved
- Waterproof rated to IP67

### PRODUCTS

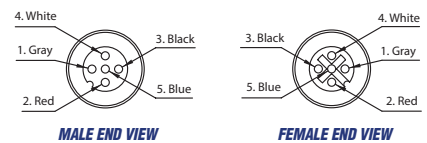
PART NUMBER	DESCRIPTION
QCM-CG1-QCF-01	Nylon to Metal Connector Cable

## Micro 90° Male to Female Connector



A 90 degree male to female connector for Micro or Mid size cable runs or connections which is intended to aid turning tight radiuses without unduly straining the wires within a cable. Ideal when mounting a device in a location with shallow depth possibilities.

- NMEA 2000® Approved
- Waterproof rated to IP67



### PRODUCTS

PART NUMBER	DESCRIPTION
ELB-CM-CF	Micro 90° Male to Female Connector

## Mid Single-Ended Cordset Female to Open Pigtail (25 Meter Blue)



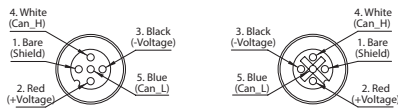
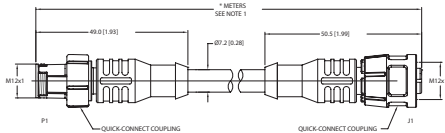
This 25 meter length Mid size cable with a Micro female connector on one end is intended for installation of devices such as a weather station. The female connector should point towards the device and a field attachable male connector should be made onto the end connecting to the rest of the backbone.

- NMEA 2000® Approved
- Meets ABYC Power Pair size requirements
- Waterproof rated to IP67

### PRODUCT

PART NUMBER	DESCRIPTION
DF-DB1-25.0	Mid Single-Ended Cordset — Female to Open Pigtail — 25 Meter (blue)

## Specifications



MALE END VIEW

### MECHANICAL

Molded Head Mat/Color	Thermoplastic PUR/Blue-Gray
Contact Carrier Mat/Color	Thermoplastic PUR/Black
Contact Mat/Plating	Brass/Gold
Snap-Lock Mat/Color	POM/Black

### ELECTRICAL

Rated Current	4.0 Amps
Rated Voltage	250 V

### ENVIRONMENTAL

Protection Class	IEC IP67
Temperature Range	-40°C to 80°C -40°F to 176°F

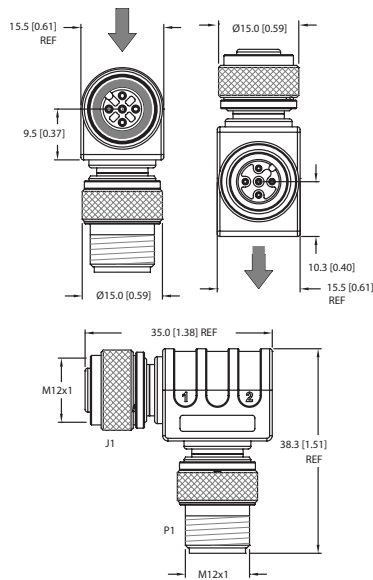
### CABLE

Outer Jacket Mat/Color	PVC/Gray
Conductor Insulation Mat	HDPE (data wires), SRPVC (power wires)
Construction	4x32 (0.65 mm) AWG, 22 (0.65mm) AWG Drain Wire
Shielding (3 levels)	Foil (overall), Foil (power pair), Foil (data pair)

### APPROVALS

NMEA	NMEA 2000® Approved
IEC	IEC-61162-3

## Specifications



### MECHANICAL

Molded Body Mat/Color	Thermoplastic PUR/Gray
Contact Carrier Mat/Color	Nylon PUR
Contact Mat/Plating	Brass/Gold
Coupling Nut Mat/Plating	Brass/Nickel

### ELECTRICAL

Rated Current	4.0 Amps
Rated Voltage	50 V

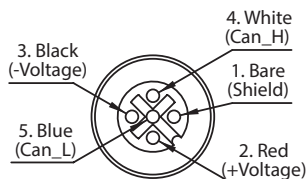
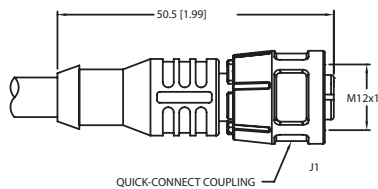
### ENVIRONMENTAL

Protection Class	IEC IP67, NEMA 1, 3, 4, 6P
Temperature Range	-40°C to 105°C -40°F to 221°F

### APPROVAL

NMEA	NMEA 2000® Approved
IEC	IEC 61162-3

## Specifications



FEMALE END VIEW

### MECHANICAL

Molded Head Mat/Color	Thermoplastic PUR/Blue-Gray
Contact Carrier Mat/Color	Thermoplastic PUR/Blue-Gray
Contact Mat/Plating	Brass/Gold
Coupling Nut Mat/Color	Brass/Nickel
Connector Outside Diameter	0.59"

### ELECTRICAL

Rated Current	4.0 Amps
Rated Voltage	250 V

### ENVIRONMENTAL

Protection Class	IEC IP68, NEMA 1, 3, 4, 6P
Temperature Range	-40°C to 80°C -40°F to 176°F

### CABLE

Outer Jacket Mat/Color	PVC/Blue
Conductor Insulation Mat	PE (data wires), PVC (power wires)
Number of Conductors	2x16 (1.29mm) AWG, 2x20 (0.81mm) AWG, 20 (0.81mm) AWG Drain Wire
Shielding (3 levels)	Foil (overall), Foil (power pair), Foil (data pair)

### APPROVALS

Cable UL	PLTC 75°C Sunlight Resistant E90625, AWM 80°C 300V
CSA	CMX-OUTDOOR-CMG LL54185 75°C, AWM I/II A/B 80C 300V FT4
NMEA	NMEA 2000® Approved
IEC	IEC-61162-3