

Sharpshooter™ PIR

6150 Series

Overview

The 6150 Sharpshooter™ passive infrared detector is an advanced PIR highly sensitive to moving infrared sources while offering increased immunity to RFI, vibration, static, stray light, rapid temperature changes, and other false alarm sources.

The detector uses a dual pyroelectric sensor with jumper selectable one or two-zone detection. It combines bidirectional pulse count and motion verification, the most sophisticated signal processing available. An opaque, high resolution Fresnel lens focuses the infrared energy on the pyroelectric sensor while blocking stray or reflected light. The unit ships with a standard wide angle lens. Long range, extra wide angle, pet alley, curtain and single beam pet alley lenses are available as accessories.

The standard swivel bracket allows the detector to be aimed for best coverage. The lens may be masked using the labeled die-cut kit.

The 6150 Series is an attractive unit of fire-retardant ABS plastic.

A built-in cover slides over the LED. It incorporates a custom Applications Specific Integrated Circuit (ASIC) on a compact SMD board for highest reliability.



Standard Features

- **Sealed optics helps prevent false alarms caused by insects getting inside detector**
- **Six interchangeable lenses for flexible coverage patterns**
- **Swivel bracket for accurate aiming**
- **Cold temperature version able to operate to -40° F**
- **Motion verification through advanced signal processing reduces false alarms**

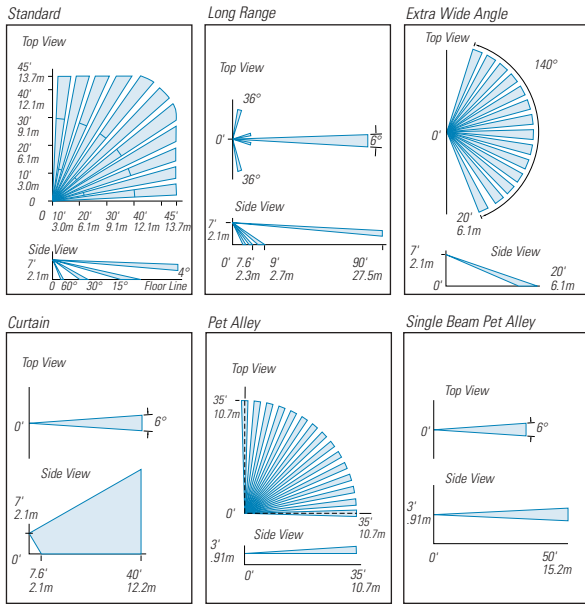
Model Numbers

6155, 6157, 6155CT, 6157CT, 6155AL

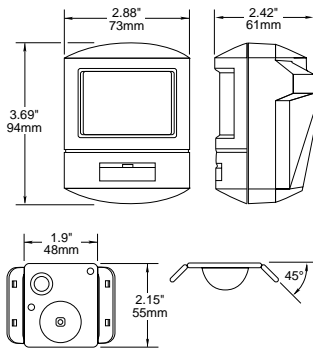
Sharpshooter™ PIR

6150 Series

Lens Coverage



Dimensions



Ordering Information

Model	Loop Type	Electrical Configuration	Comments
6155	Closed	N.C.	
6157	Closed, Open	SPDT (N.C. and N.O.)	
6155CT	Closed	N.C.	Cold Temperature
6157CT	Closed, Open	SPDT (N.C. and N.O.)	Cold Temperature
6155AL	Closed	N.C.	Alarm Memory

Specifications

Electrical

Voltage

7 to 16V DC

Current

8mA typical, 10mA max.

Maximum loop rating

16V DC, 50mA

Alarm output

Fail safe contacts w/ 10 Ohms in series, 6155 - Form A, Normally Closed (N.C.)
 6157 - Form C, Normally Closed and Open (SPDT)

Alarm duration

2 to 5 seconds

Cover tamper contacts

Normally Closed, rating: 50mA

Environmental

Operating temperature

0°F to 120°F (-17°C to +50°C)

"CT" cold temp. version

-40°F to 120°F (-40°C to +50°C)

Humidity

10% to 90% noncondensing

RFI immunity

greater than 10V/meter from

1 to 1000MHz

Static immunity

20kV

Lightning immunity

2.5kV, 2 joules max. energy

impulse, 1 msec rise /

50 msec decay

Features

Pulse count

Bi-directional, 1 event (2 pulses) or 2 events (4 pulses) with Motion Verification

Range

Standard

45' (13.7m) x 90°

Long Range

90' (27.4m) x 6°

Extra Wide Angle

20' (6.1m) x 140°

Curtain

40' (12.2m) x 6°

Pet Alley

35' (10.7m) x 90°

Single Beam Pet Alley

50' (15.2m) x 6°

Standard swivel bracket

±10 left/right, 10 up, 15 down

Mounting

Wall or corner

(with or without swivel bracket)

Walktest

LED indicator

"AL" alarm

memory version

Dimensions

Latching

3.69" (93.7mm) H

2.88" (73mm) W

2.42" (61.5mm) D

Off-white

UL 639, CAN/ULC S306

Color Listing



www.GE-Security.com

2266 Second Street North
 North Saint Paul, MN 55109
 Phone: 651-777-2690
 USA & Canada: 800-777-5484
 Technical Service: 800-777-2624

12345 SW Leveton Drive
 Tualatin, OR 97062
 Phone: 503-692-4052
 USA & Canada: 800-547-2556
 Technical Service: 800-648-7424
 Faxback: 800-483-2495