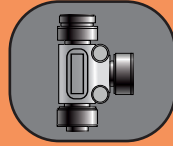


TEE

Micro

■ A Tee is used to tap into the trunk line for adding a drop connection. The standard tee is also available with a cap for a protected diagnostic connection. Tees can be mated with all other devices on the network of the same connector style.

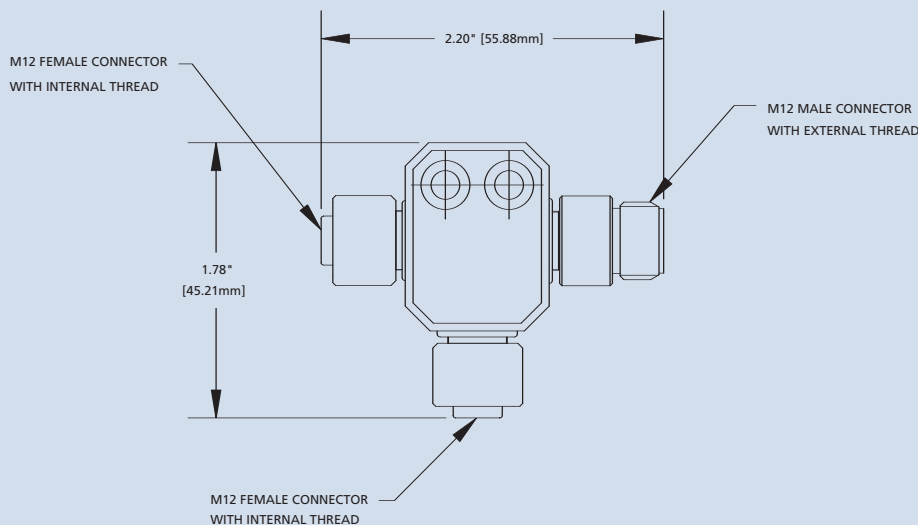


- Gold contacts for greatest reliability
- Keyed connectors for error-free connections



Specifications

PROFILE VIEW



MECHANICAL	
CONNECTOR FACE:	PCV
MOLDED BODY:	PCV
COUPLING NUT:	NICKEL PLATED BRASS
ELECTRICAL	
VOLTAGE RATING:	50V
AMPERAGE:	4A
CONTACT MATERIAL:	PHOSPHOR BRONZE ALLOY
CONTACT PLATING:	GOLD OVER NICKEL ALLOY
ENVIRONMENTAL	
PROTECTION:	IP68, NEMA 6P
AMBIENT OPERATING TEMP:	32° TO 140° F (0° TO 60° C)
APPROVALS:	
NMEA:	NMEA 2000® APPROVED

PART NUMBER	DESCRIPTION
MMICT555	MICRO TEE